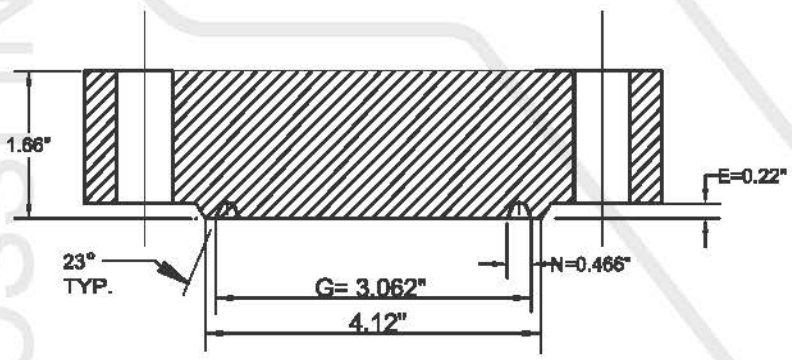
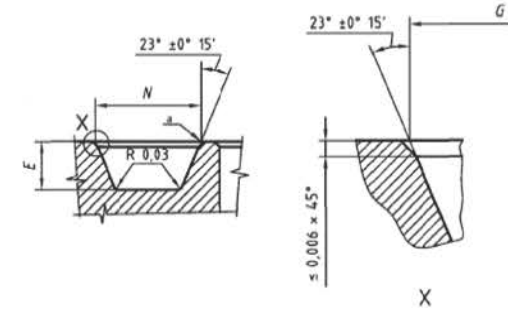
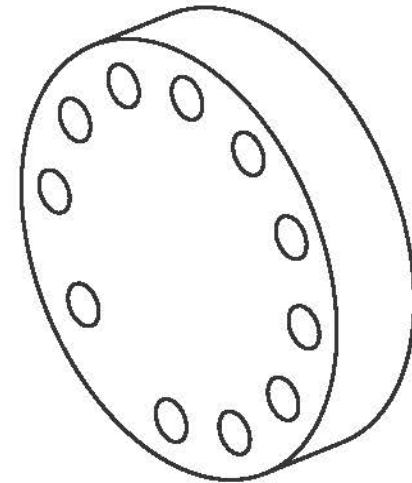
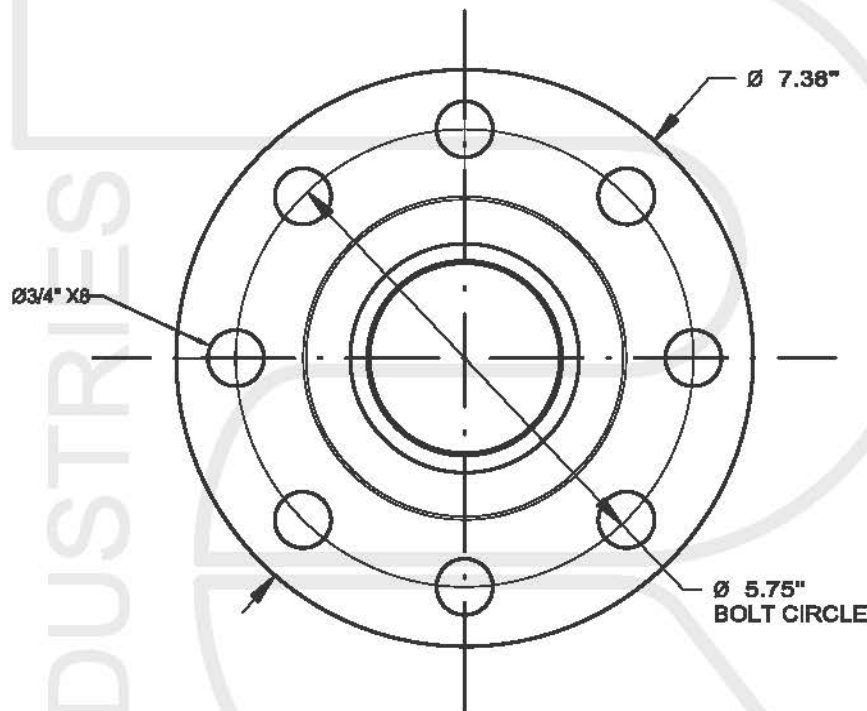



**FOR PUBLIC RELEASE**



Rev	Date	Description	DWN.BY	CHKD.BY	APPR.BY
R.1	06/15/13	ISSUED FOR PROPOSAL	R.Lee	D.Park	M.Kim
R.0	06/02/13	ISSUED FOR PROPOSAL	R.Lee	D.Park	M.Kim
Material: ASTM B564 UNS N06825:					
TYPE: BLIND FLANGE 1 13/16" 10000# RTJ 6BX					
CUSTOMER:			STANDARD: API 6A-2009		
CUST REF NO:			UNIT: INCH		
 ROSSI FORGING INDUSTRIES				SR NO: 95	
				QTY : 16 PCS	