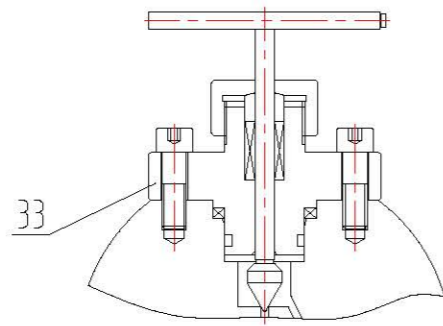


FOR PUBLIC RELEASE

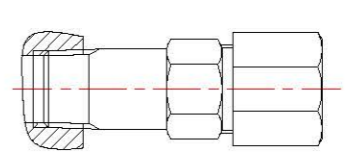
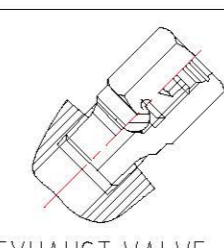
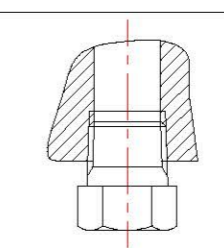
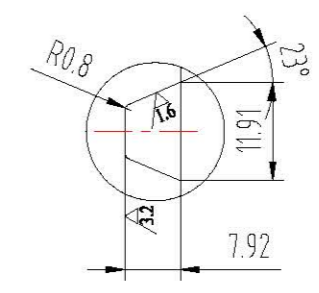
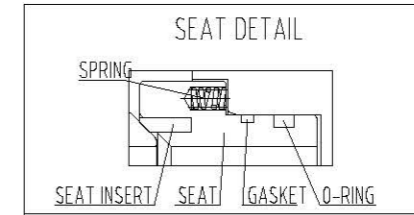
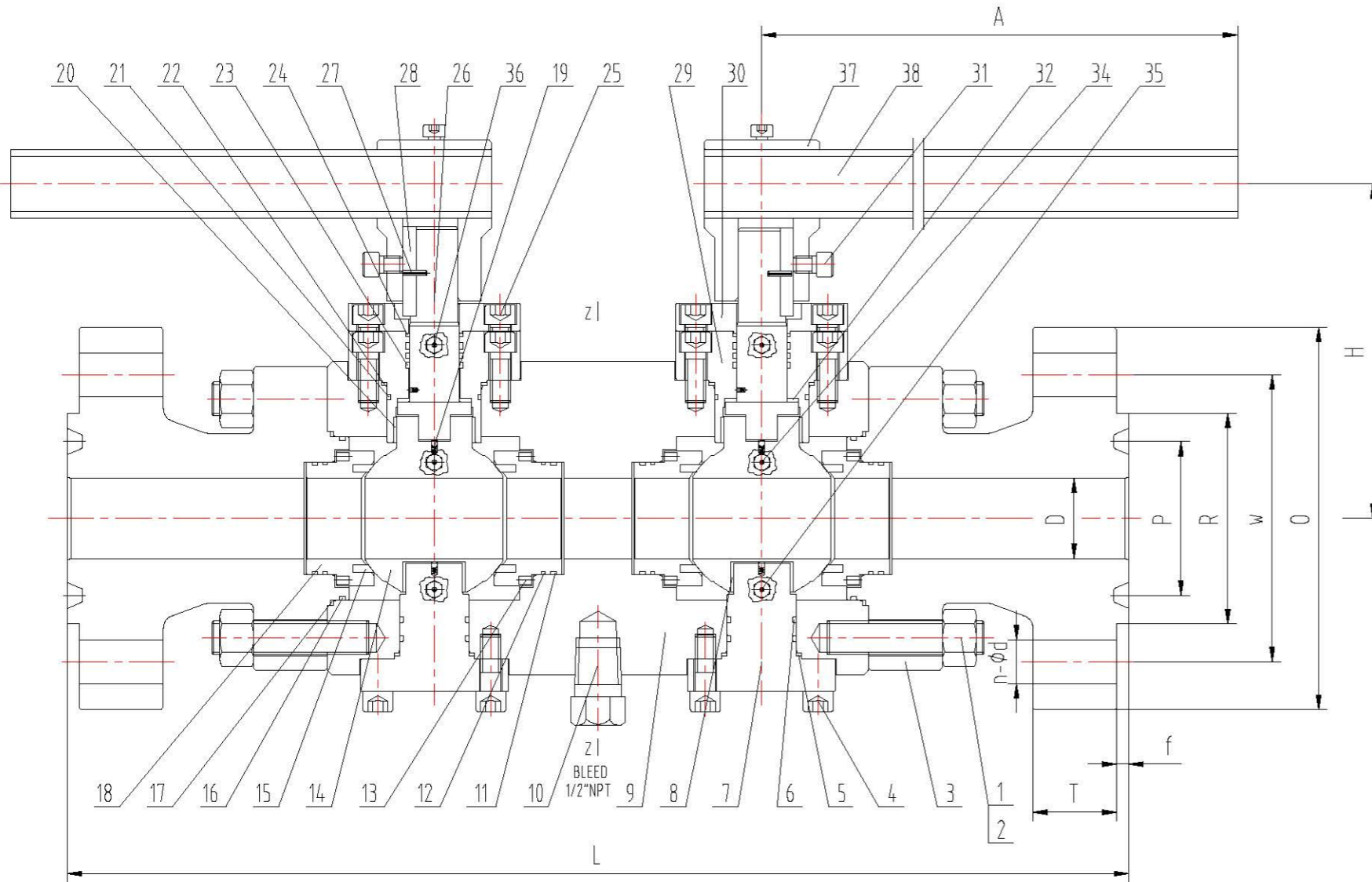
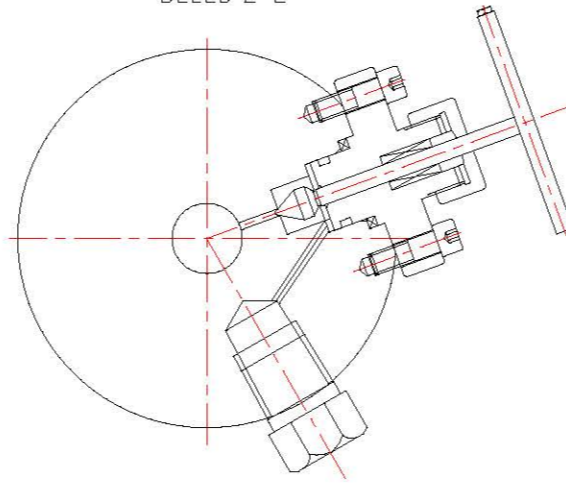
A
B
C
D
E
F

1 2 3 4 5 6 7 8

GLOBE BLEED DETAIL



BLEED Z-Z



38	HANDLE	A29 1020
37	WRENCH	WCB
36	INJECTION VALVE	SS
35	DRAIN VALVE	SS
34	EXHAUST VALVE	SS
33	GLOBE VALVE	SS
32	GASKET	PTFE
31	BOLT	A453 660A
30	CONTROL PLATE	A182 F53
29	GLAND	A182 F53
28	KEY	A29 1045
27	PIN	AISI 1566
26	STEM	A182 F53
25	BOLT	A453 660A
24	GASKET	GRAPHITE
23	O-RING	VITON AED
22	GASKET	GRAPHITE
21	O-RING	VITON AED
20	BEARING	SS+PTFE
19	SPRING	SS316
18	SEAT	A182 F53
17	GASKET	GRAPHITE
16	O-RING	VITON AED
15	SEAT INSERT	PEEK
14	BALL	A182 F53
13	SPRING	INCONEL X750
12	GASKET	GRAPHITE
11	O-RING	VITON AED
10	DRAIN VALVE	SS
9	BODY	A182 F53
8	BEARING	SS+PTFE
7	TRUNNION	A182 F53
6	O-RING	VITON AED
5	GASKET	GRAPHITE
4	BOLT	A453 660A
3	END BODY	A182 F53
2	NUT	A453 660A
1	BOLT	A453 660A
NO.	NAME	MATERIAL

PRESSURE TESTING	HYDROSTATIC	SHELL	648 BARG
	PNEUMATIC	SEAT	474 BARG
		SEAT	

2013. 10. 14	FOR APPROVAL	K.J.S	S.S.W	Y.K.C
Rev. DATE	DESCRIPTION	PRE'D	CHE'D	APP'D

TITLE **DOUBLE BLOCK BALL AND BLEED VALVE**
RTJ FLANGE END FULL PORT ,TRUNNION TYPE
2" 2500 # API6D

DWG. No	RFI-DBB-2-2500-RTJ-GAD	SCALE	N/S
---------	------------------------	-------	-----

GENERAL ASSEMBLY DRAWING
ROSSI FORGING INDUSTRIES

SIZE	CLASS	L	D	O	W	R	P	T	E	n-φd	H	A
2"	2500	656	44.5	235	171.4	133	101.6	50.9	7.92	8-φ28.5	203	747

- 1) FACE TO FACE DIMENSION - MFG STD
- 2) FLANGE DIMENSION : API 6D
- 3) TESTING : API 6D
- 4) SOUR SERVICE , NACE MR0175/ISO 15156..
- 4) DESIGN: API 6D

1 2 3 4 5 6 7 8