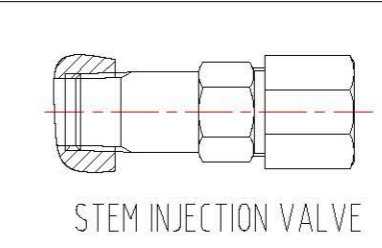
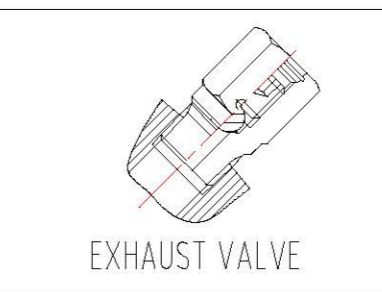
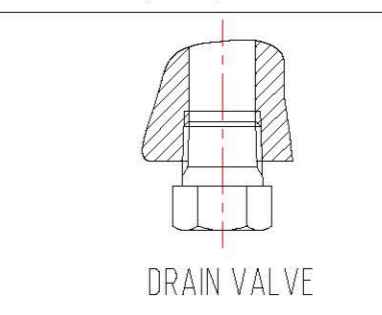
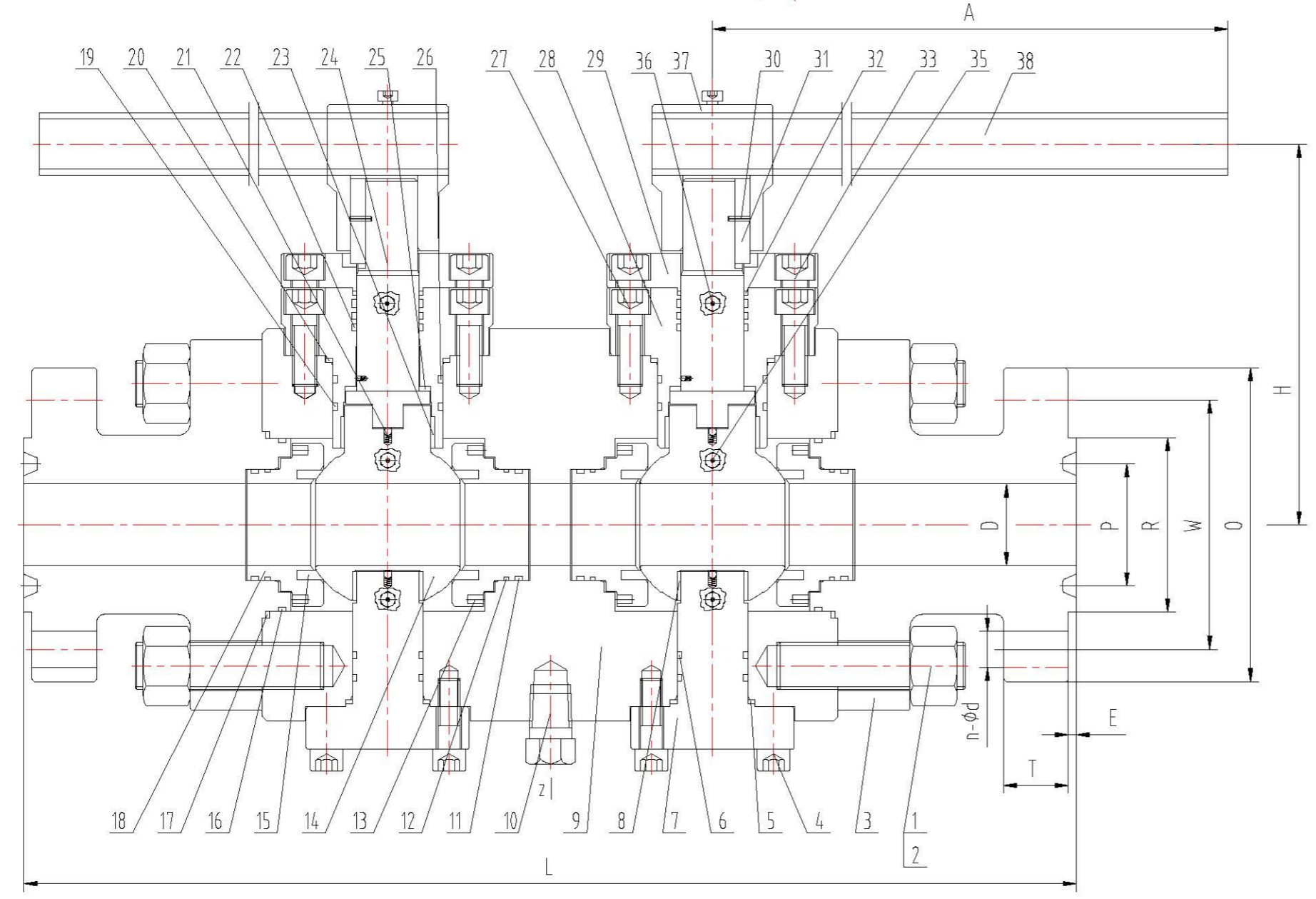
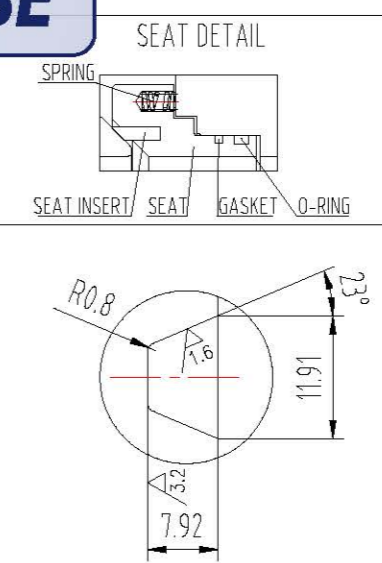
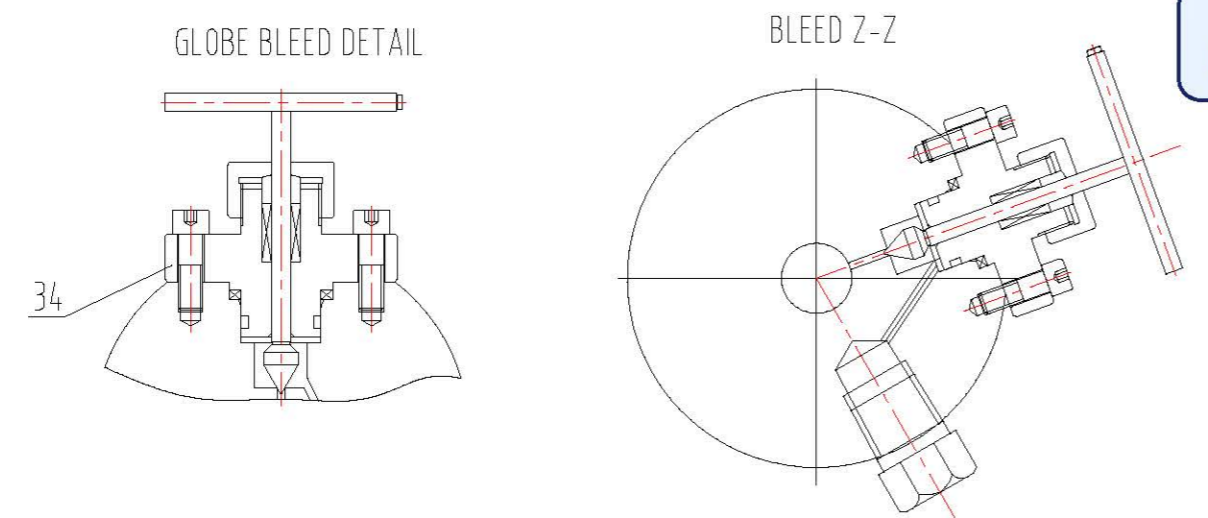


FOR PUBLIC RELEASE



39		
38	HANDLE	A29 1020
37	WRENCH	WCB
36	INJECTION VALVE	SS
35	EXHAUST VALVE	SS
34	GLOBE VALVE	SS
33	BOLT	A453 660A
32	GASKET	GRAPHITE
31	KEY	A29 1045
30	PIN	AISI 1566
29	PLATE	A182 F53
28	GLAND	A182 F53
27	BOLT	A453 660A
26	O-RING	VITON AED
25	GASKET	PTFE
24	STEM	A182 F53
23	BEARING	SS+PTFE
22	O-RING	VITON AED
21	SPRING	ss316
20	GASKET	GRAPHITE
19	O-RING	VITON AED
18	SEAT	A182 F53
17	GASKET	GRAPHITE
16	O-RING	VITON AED
15	SEAT INSERT	PEEK
14	BALL	A182 F53
13	SPRING	INCONEL X750
12	GASKET	GRAPHITE
11	O-RING	VITON AED
10	DRAIN VALVE	SS
9	BODY	A182 F53
8	BEARING	SS+PTFE
7	TRUNNION	A182 F53
6	O-RING	VITON AED
5	GASKET	GRAPHITE
4	BOLT	A453 660A
3	END BODY	A182 F53
2	NUT	A453 660A
1	BOLT	A453 660A
NO.	NAME	MATERIAL

PRESSURE TESTING	HYDROSTATIC	SHELL	7500 PSI
	PNEUMATIC	SEAT	500 PSI
		SEAT	

Rev.	2013. 11. 24	FOR APPROVAL	K.J.S	S.S.W	Y.K.C
	DATE	DESCRIPTION	PRE'D	CHE'D	APP'D

TITLE **DOUBLE BLOCK BALL AND BLEED VALVE**
 RTJ FLANGE END FULL PORT ,TRUNNION TYPE
 2 1/16" 5000 PSI API6A

DWG. No	RFI-DBB-113/16-68-RTJ-GAD	SCALE	N/S
---------	---------------------------	-------	-----

GENERAL ASSEMBLY DRAWING
ROSSI FORGING INDUSTRIES

NPS	PSI	L	D	O	W	R	P	T	E	n-φd	H	A
2 1/16"	5000	600	52.4	215	165.1	124	95.25	38.1	7.9	8-φ26	193	747

- 1) FACE TO FACE DIMENSION - MFG STD
- 2) FLANGE DIMENSION : API 6A-6B
- 3) TESTING : API 6A
- 4) SOUR SERVICE , NACE MR0175/ISO 15156.
- 4) DESIGN: API 6A