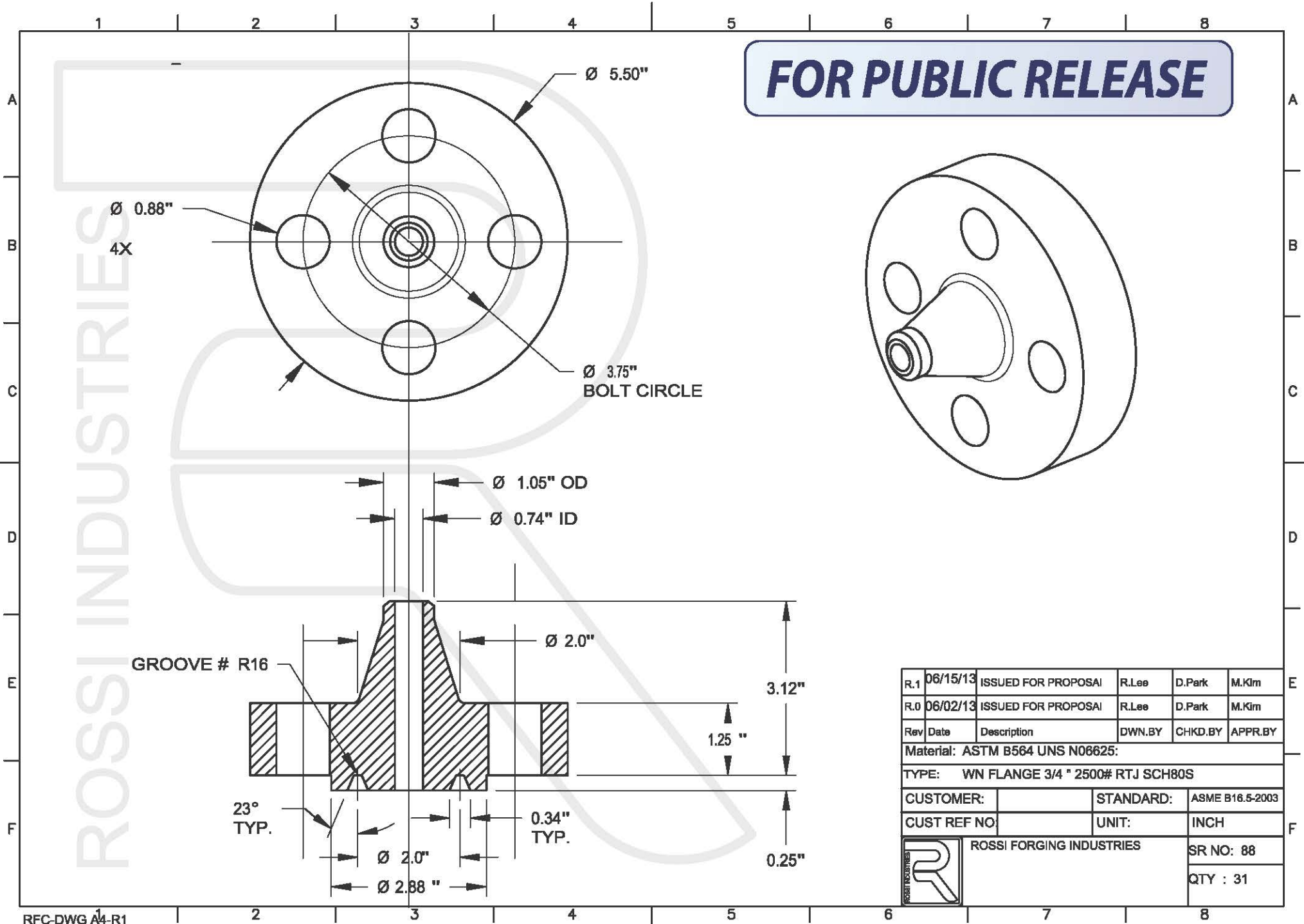



FOR PUBLIC RELEASE



R.1	06/15/13	ISSUED FOR PROPOSAL	R.Lee	D.Park	M.Kim
R.0	06/02/13	ISSUED FOR PROPOSAL	R.Lee	D.Park	M.Kim
Rev Date	Description		DWN.BY	CHKD.BY	APPR.BY
Material: ASTM B564 UNS N08625:					
TYPE: WN FLANGE 3/4 " 2500# RTJ SCH80S					
CUSTOMER:			STANDARD: ASME B16.5-2003		
CUST REF NO:			UNIT: INCH		
 ROSSI FORGING INDUSTRIES			SR NO: 88		
			QTY : 31		