

FOR PUBLIC RELEASE

A

B

C

D

E

F

A

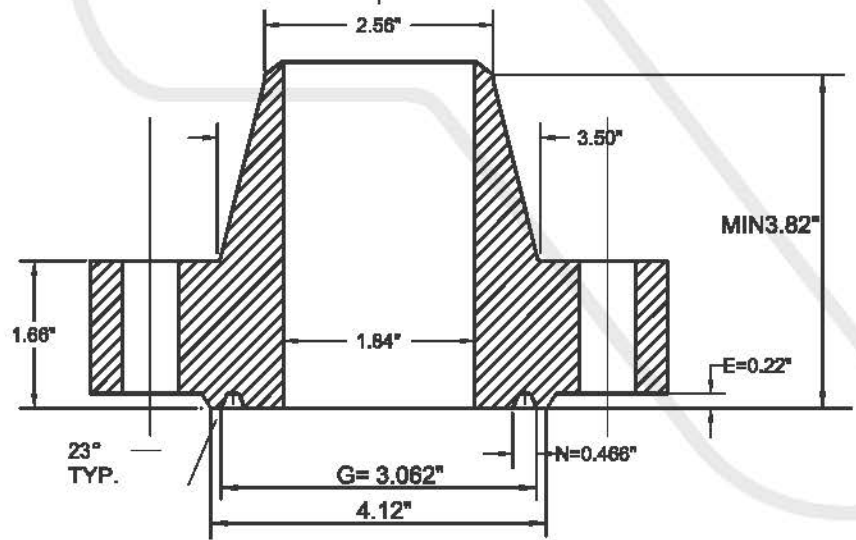
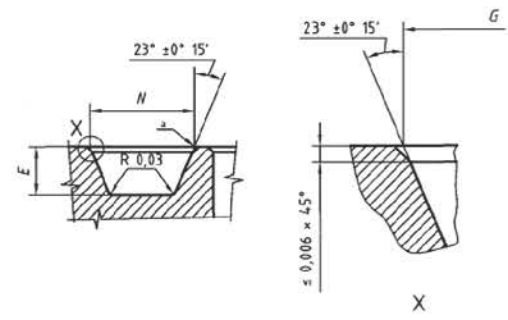
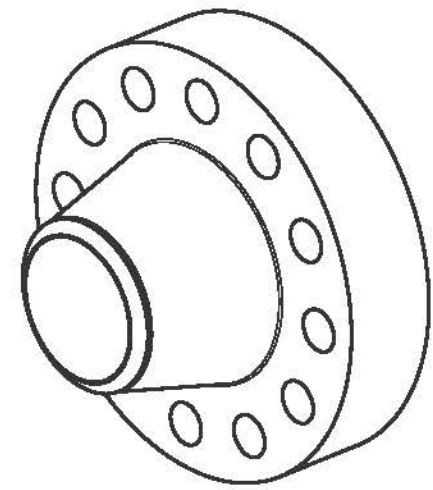
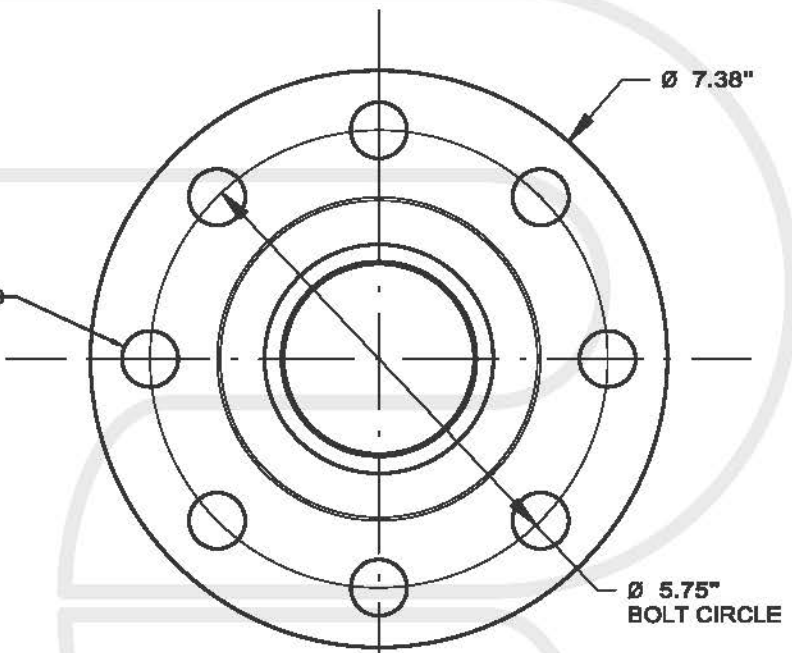
B


C

D

E

F



R.1	06/15/13	ISSUED FOR PROPOSAL	R.Lee	D.Park	M.Kim
R.0	06/02/13	ISSUED FOR PROPOSAL	R.Lee	D.Park	M.Kim
Rev	Date	Description	DWN.BY	CHKD.BY	APPR.BY
Material: ASTM B564 UNS N06625:					
TYPE: W.N FLANGE 1 13/16" 10000# RTJ 6BX					
CUSTOMER:			STANDARD: API 8A-2008		
CUST REF NO:			UNIT: INCH		
 ROSSI FORGING INDUSTRIES				SR NO: 94	
				QTY : 78 PCS	